

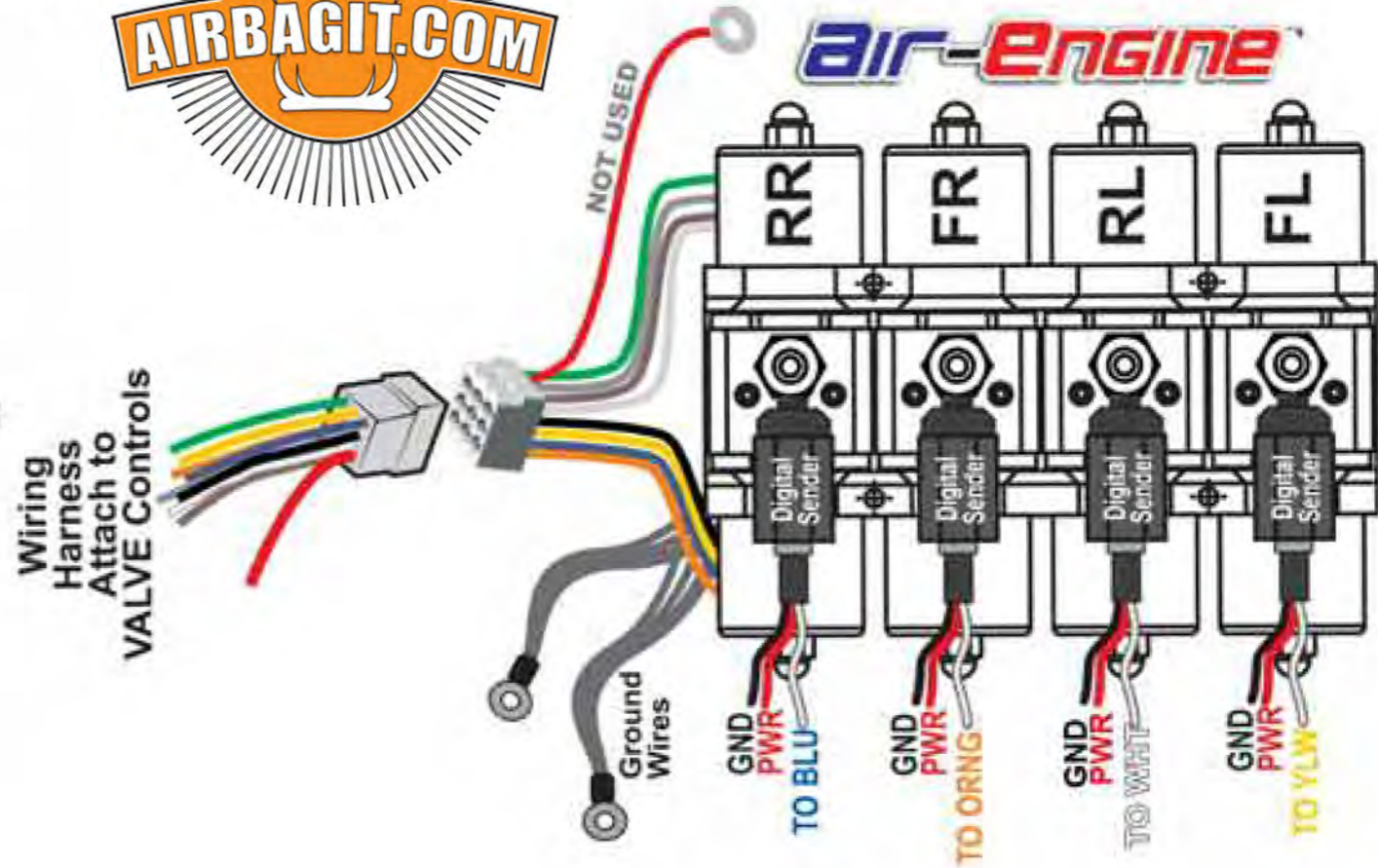
DIGITAL GAUGE & CONTROLLER



Recommended Configuration:



NOTE: 300 PSI GAUGE WILL NOT GIVE ACCURATE READINGS UNDER 170 PSI. 150 PSI SENDERS MUST BE USED FOR ACCURACY UNDER 160 PSI. 300 PSI SENDERS ARE ONLY FOR USE WITH COMPRESSED GAS



There is a grey wire loom with a white Molex plug that ships with all the Air-Engines. The wires inside of this plug have two different colored wires than the wires that are actually wired to the Air-Engine. The table below shows these differences in wires and which one goes to which. The (WL) represents the color of wire that will be coming out of the grey wire loom and the (AE) represents which wire actually goes into the Air Engine. The loose red/pink wire that doesn't run inside the loom isn't used and can be cut off.

Air Engine Wires	Position
Black	FL UP
White	FL DOWN
Grey	FR DOWN
Brown	RL DOWN
Green(WL) / Red (AE)	RR DOWN
Yellow	RL UP
Blue	FR UP
Orange(WL) / Purple (AE)	RR UP

