

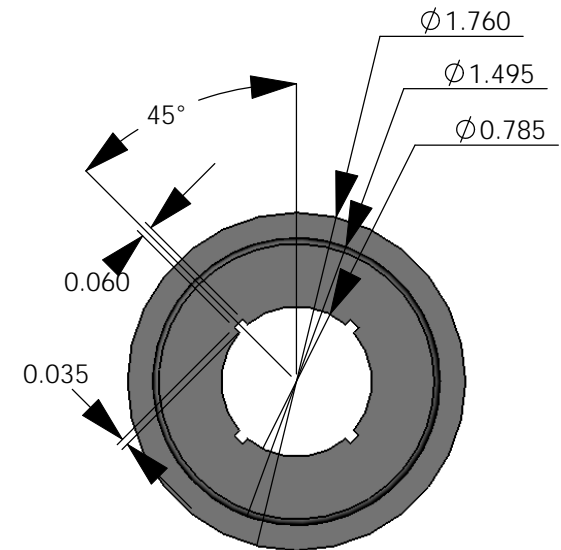
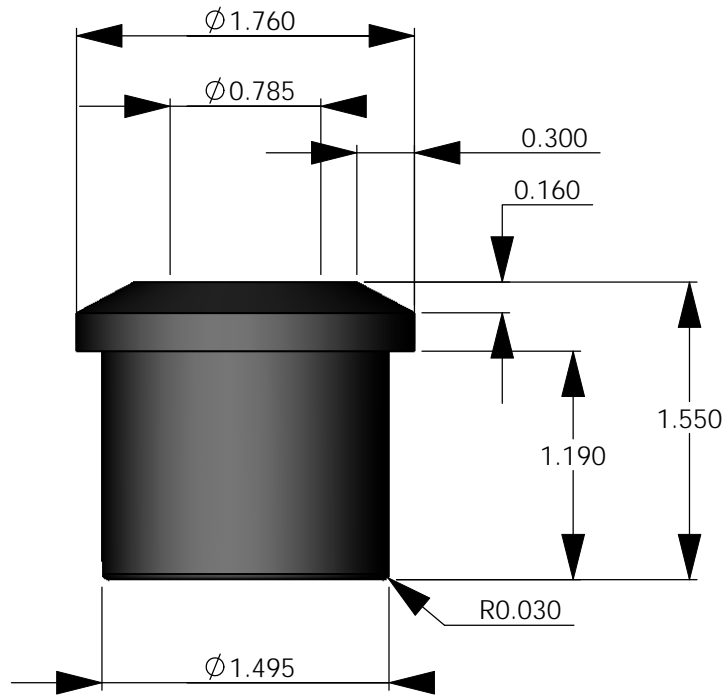


QUOTATION ONLY

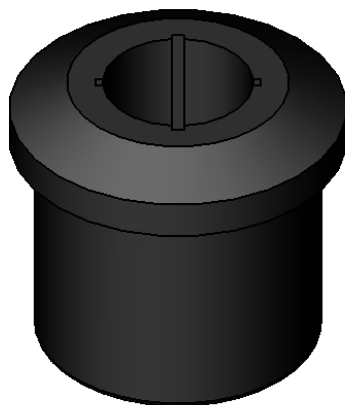
UNLESS OTHERWISE SPECIFIED:		NAME	DATE	 	
DIMENSIONS ARE IN INCHES TOLERANCES: 0.015" FRACTIONAL ± ANGULAR: MACH ± BEND ± TWO PLACE DECIMAL ± THREE PLACE DECIMAL ±	DRAWN	R.S.D	3/17/2009	TITLE: <h2>#3 BLACK POLYURETHANE BUSHING</h2>	
	CHECKED				
	ENG APPR.				
	MFG APPR.				
INTERPRET GEOMETRIC TOLERANCING PER:	Q.A.			SIZE A DWG. NO. AIM-BUSHINGS REV A	
MATERIAL BLACK POLYURETHANE	COMMENTS:				
FINISH NONE					
DO NOT SCALE DRAWING	Z:\URETHANE BUSHINGS\			SHEET 1 OF 12	


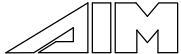
PROPRIETARY AND CONFIDENTIAL

THE INFORMATION CONTAINED IN THIS DRAWING IS THE SOLE PROPERTY OF AIM INDUSTRIES / CHASSIS TECH. ANY REPRODUCTION IN PART OR AS A WHOLE WITHOUT THE WRITTEN PERMISSION OF AIM INDUSTRIES / CHASSIS TECH IS PROHIBITED.



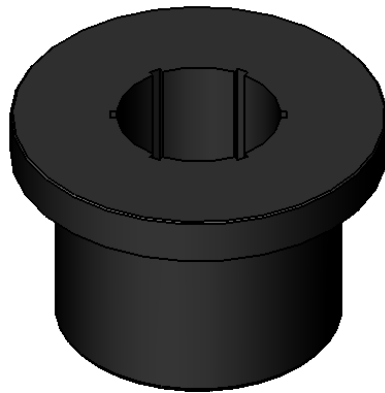
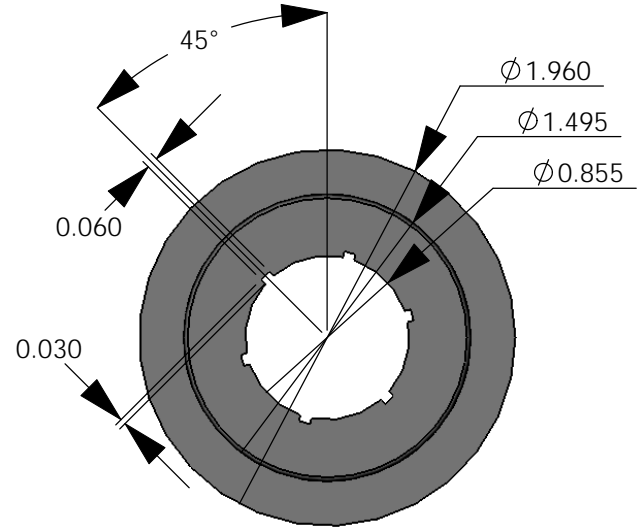
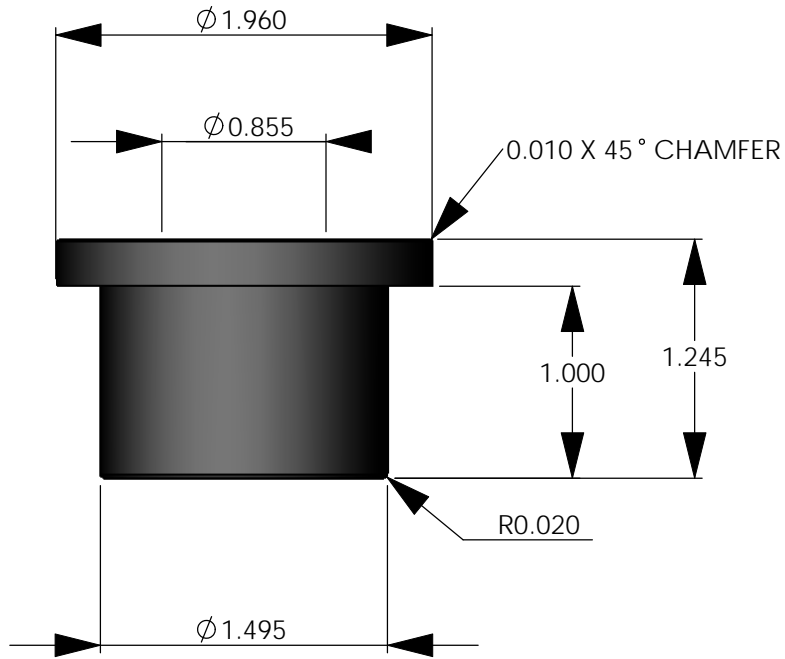
QUOTATION ONLY




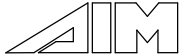
UNLESS OTHERWISE SPECIFIED:		NAME	DATE	 	
DIMENSIONS ARE IN INCHES TOLERANCES: 0.015" FRACTIONAL ± ANGULAR: MACH ± BEND ± TWO PLACE DECIMAL ± THREE PLACE DECIMAL ±	DRAWN	R.S.D	3/17/2009	TITLE: <h2>#5 BLACK RUBBER BUSHING</h2>	
	CHECKED				
	ENG APPR.				
	MFG APPR.				
INTERPRET GEOMETRIC TOLERANCING PER:	Q.A.			SIZE A DWG. NO. AIM-BUSHINGS REV A	
MATERIAL BLACK RUBBER	COMMENTS:				
FINISH NONE					
DO NOT SCALE DRAWING	Z:\URETHANE BUSHINGS\			SHEET 2 OF 12	

PROPRIETARY AND CONFIDENTIAL

THE INFORMATION CONTAINED IN THIS DRAWING IS THE SOLE PROPERTY OF AIM INDUSTRIES / CHASSIS TECH. ANY REPRODUCTION IN PART OR AS A WHOLE WITHOUT THE WRITTEN PERMISSION OF AIM INDUSTRIES / CHASSIS TECH IS PROHIBITED.

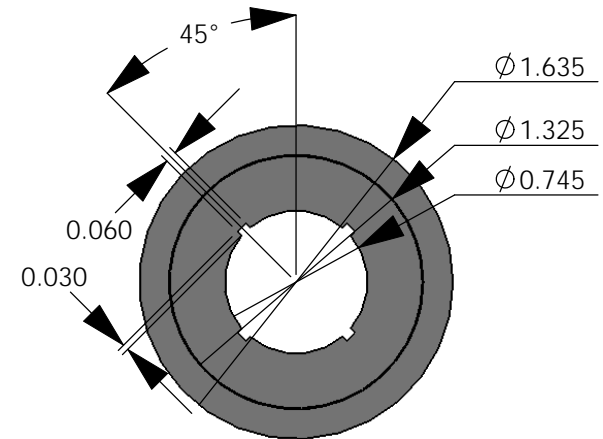
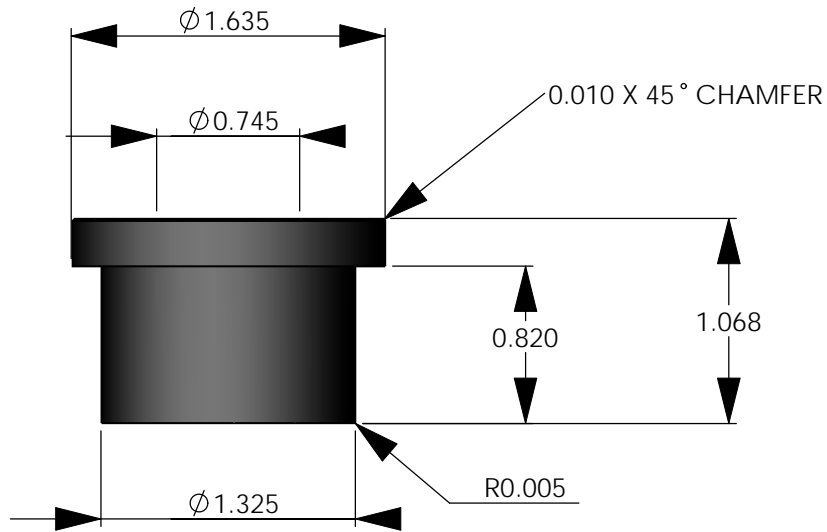


QUOTATION ONLY

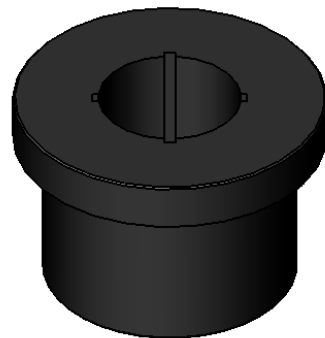
UNLESS OTHERWISE SPECIFIED:		NAME	DATE	 	
DIMENSIONS ARE IN INCHES TOLERANCES: 0.015" FRACTIONAL \pm ANGULAR: MACH \pm BEND \pm TWO PLACE DECIMAL \pm THREE PLACE DECIMAL \pm	DRAWN	R.S.D	3/17/2009	TITLE:	
	CHECKED			#7 BLACK POLYURETHANE BUSHING	
	ENG APPR.				
	MFG APPR.				
INTERPRET GEOMETRIC TOLERANCING PER:	Q.A.			SIZE	DWG. NO.
MATERIAL BLACK POLYURETHANE	COMMENTS:			A	AIM-BUSHINGS
FINISH NONE					REV
DO NOT SCALE DRAWING	Z:\URETHANE BUSHINGS\				A
					SHEET 3 OF 12

PROPRIETARY AND CONFIDENTIAL

THE INFORMATION CONTAINED IN THIS DRAWING IS THE SOLE PROPERTY OF AIM INDUSTRIES / CHASSIS TECH. ANY REPRODUCTION IN PART OR AS A WHOLE WITHOUT THE WRITTEN PERMISSION OF AIM INDUSTRIES / CHASSIS TECH IS PROHIBITED.





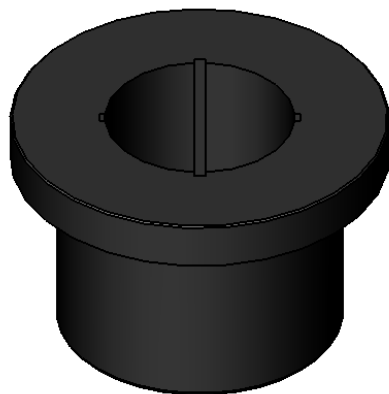
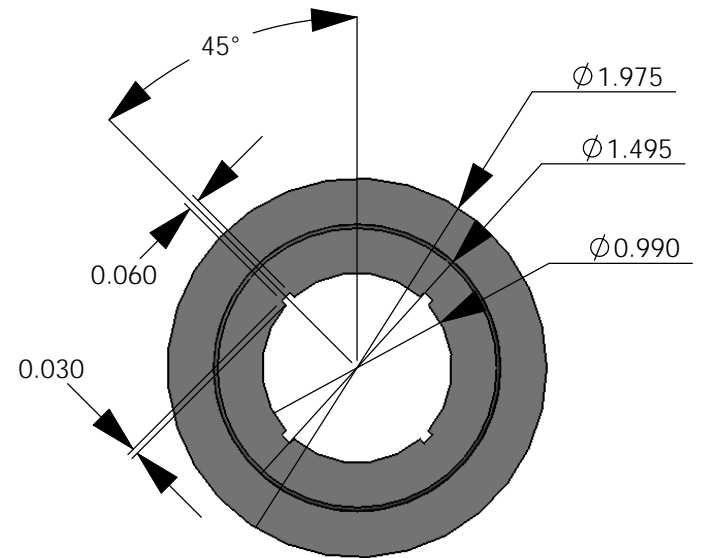
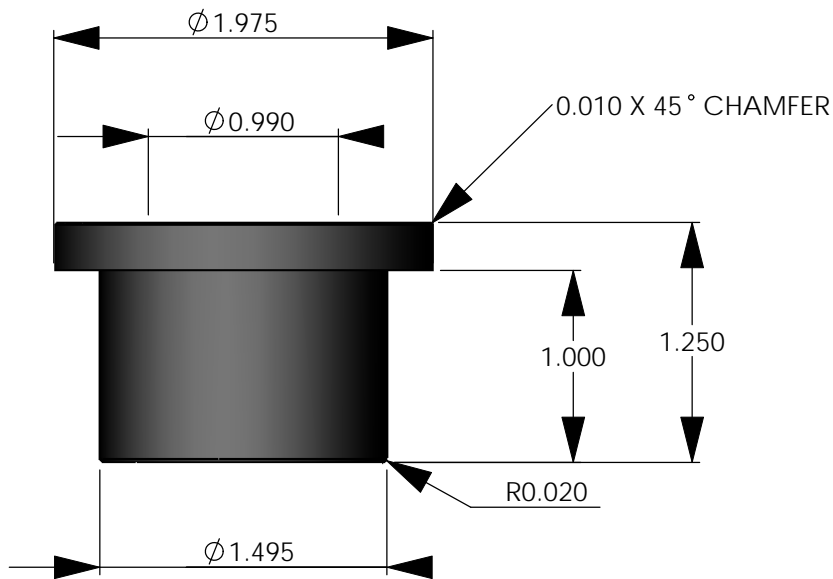
QUOTATION ONLY





PROPRIETARY AND CONFIDENTIAL

THE INFORMATION CONTAINED IN THIS DRAWING IS THE SOLE PROPERTY OF AIM INDUSTRIES / CHASSIS TECH. ANY REPRODUCTION IN PART OR AS A WHOLE WITHOUT THE WRITTEN PERMISSION OF AIM INDUSTRIES / CHASSIS TECH IS PROHIBITED.

UNLESS OTHERWISE SPECIFIED:		NAME	DATE	 		
DIMENSIONS ARE IN INCHES TOLERANCES: 0.015" FRACTIONAL \pm ANGULAR: MACH \pm BEND \pm TWO PLACE DECIMAL \pm THREE PLACE DECIMAL \pm		DRAWN	R.S.D	3/17/2009	TITLE:	
INTERPRET GEOMETRIC TOLERANCING PER:		CHECKED			#9 BLACK POLYURETHANE BUSHING	
MATERIAL BLACK POLYURETHANE		ENG APPR.				
FINISH NONE		MFG APPR.			SIZE	DWG. NO.
DO NOT SCALE DRAWING		COMMENTS:			A	AIM-BUSHINGS
		Z:\URETHANE BUSHINGS\				REV A
						SHEET 4 OF 12

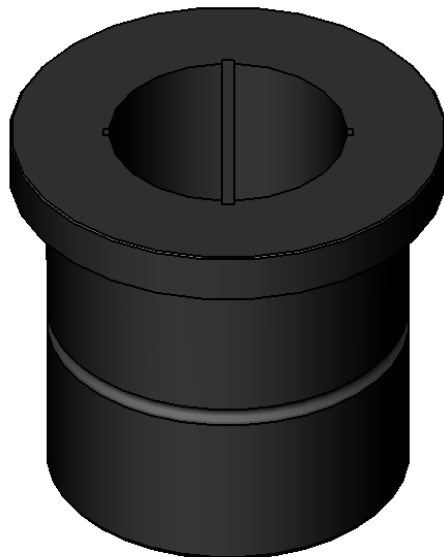
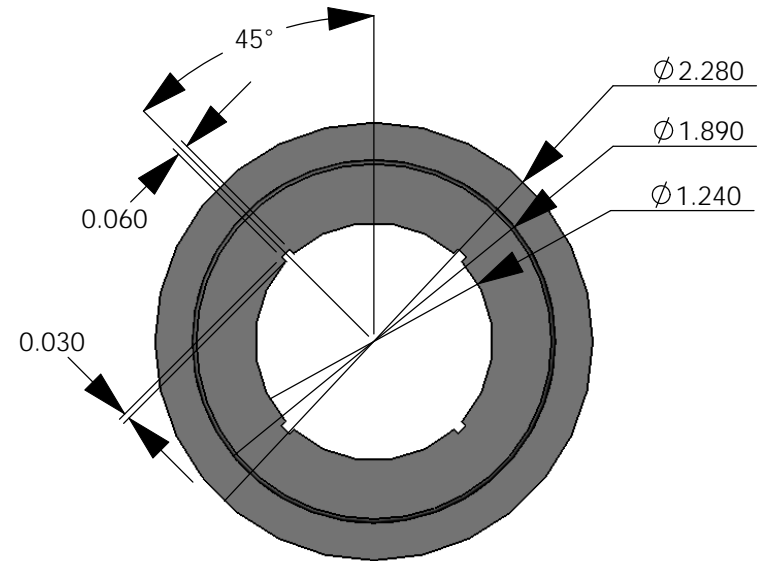
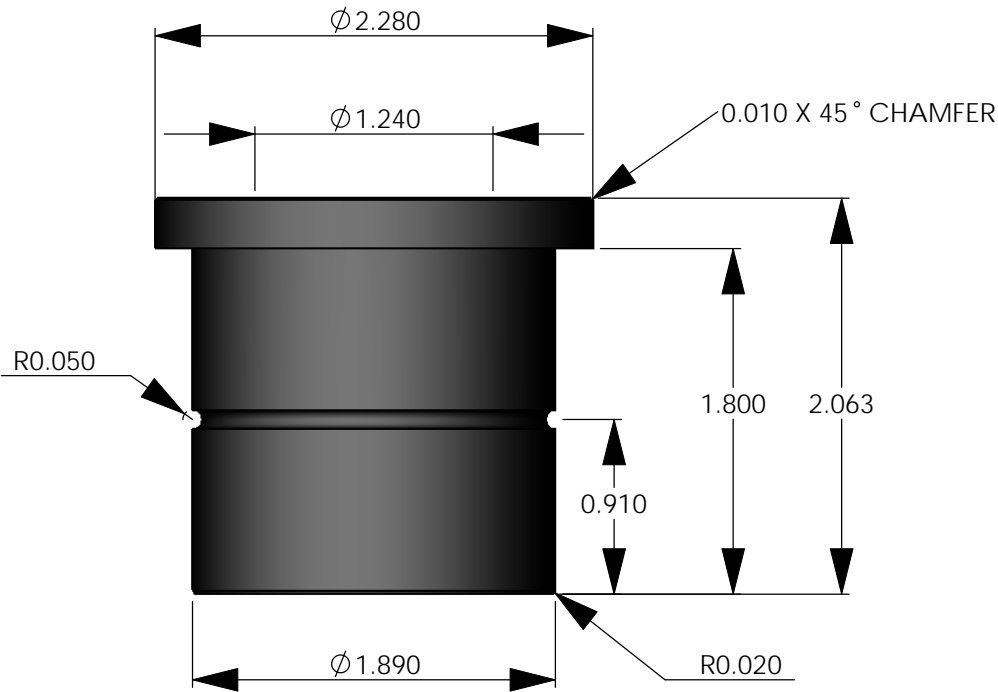


QUOTATION ONLY



UNLESS OTHERWISE SPECIFIED:		NAME	DATE	 	
DIMENSIONS ARE IN INCHES TOLERANCES: 0.015" FRACTIONAL ± ANGULAR: MACH ± BEND ± TWO PLACE DECIMAL ± THREE PLACE DECIMAL ±		DRAWN	R.S.D	3/17/2009	TITLE: <p style="text-align: center;">#10 BLACK POLYURETHANE BUSHING</p>
		CHECKED			
		ENG APPR.			
		MFG APPR.			
INTERPRET GEOMETRIC TOLERANCING PER:		Q.A.			SIZE A DWG. NO. AIM-BUSHINGS REV A
MATERIAL BLACK POLYURETHANE		COMMENTS:			
FINISH NONE					
DO NOT SCALE DRAWING		Z:\URETHANE BUSHINGS\			SHEET 5 OF 12

PROPRIETARY AND CONFIDENTIAL

THE INFORMATION CONTAINED IN THIS DRAWING IS THE SOLE PROPERTY OF AIM INDUSTRIES / CHASSIS TECH. ANY REPRODUCTION IN PART OR AS A WHOLE WITHOUT THE WRITTEN PERMISSION OF AIM INDUSTRIES / CHASSIS TECH IS PROHIBITED.

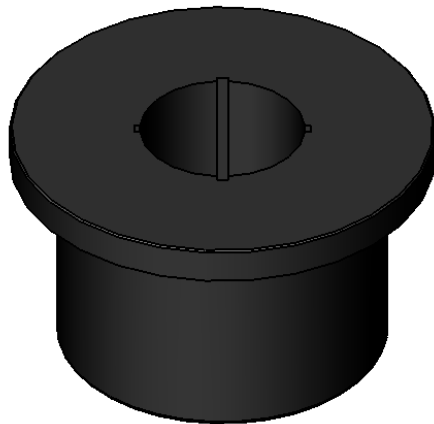
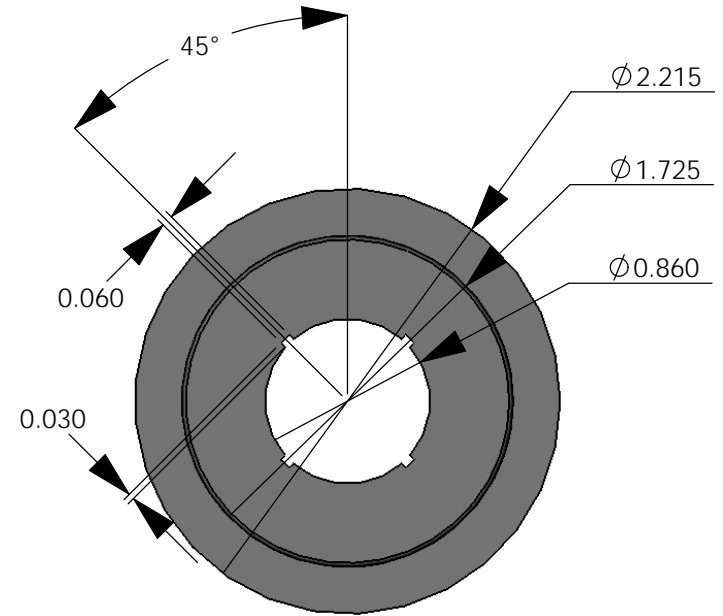
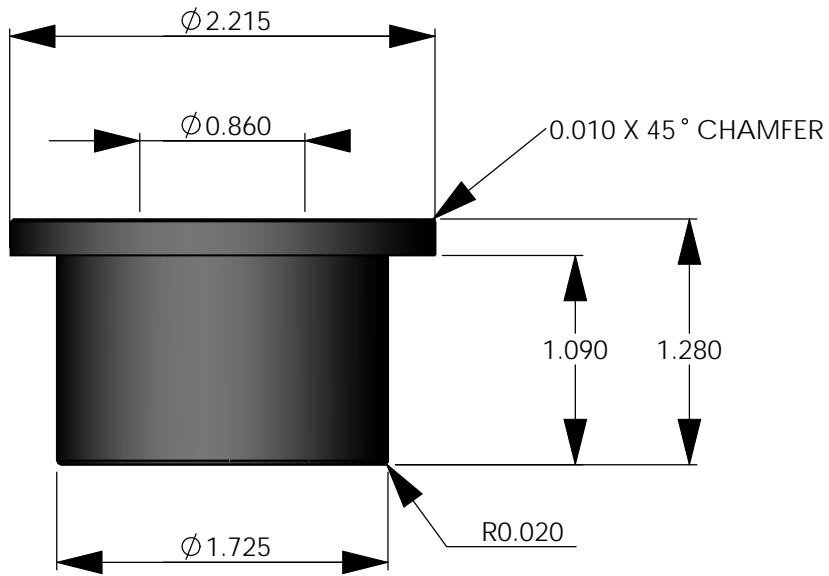


QUOTATION ONLY


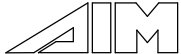
UNLESS OTHERWISE SPECIFIED:		NAME	DATE	 	
DIMENSIONS ARE IN INCHES TOLERANCES: 0.015" FRACTIONAL \pm ANGULAR: MACH \pm BEND \pm TWO PLACE DECIMAL \pm THREE PLACE DECIMAL \pm		DRAWN	R.S.D	3/17/2009	TITLE: <h3>#11 BLACK POLYURETHANE BUSHING</h3>
		CHECKED			
		ENG APPR.			
		MFG APPR.			
INTERPRET GEOMETRIC TOLERANCING PER:		Q.A.			SIZE A DWG. NO. AIM-BUSHINGS REV A
MATERIAL BLACK POLYURETHANE		COMMENTS:			
FINISH NONE					
DO NOT SCALE DRAWING		Z:\URETHANE BUSHINGS\			SHEET 6 OF 12

PROPRIETARY AND CONFIDENTIAL

THE INFORMATION CONTAINED IN THIS DRAWING IS THE SOLE PROPERTY OF AIM INDUSTRIES / CHASSIS TECH. ANY REPRODUCTION IN PART OR AS A WHOLE WITHOUT THE WRITTEN PERMISSION OF AIM INDUSTRIES / CHASSIS TECH IS PROHIBITED.

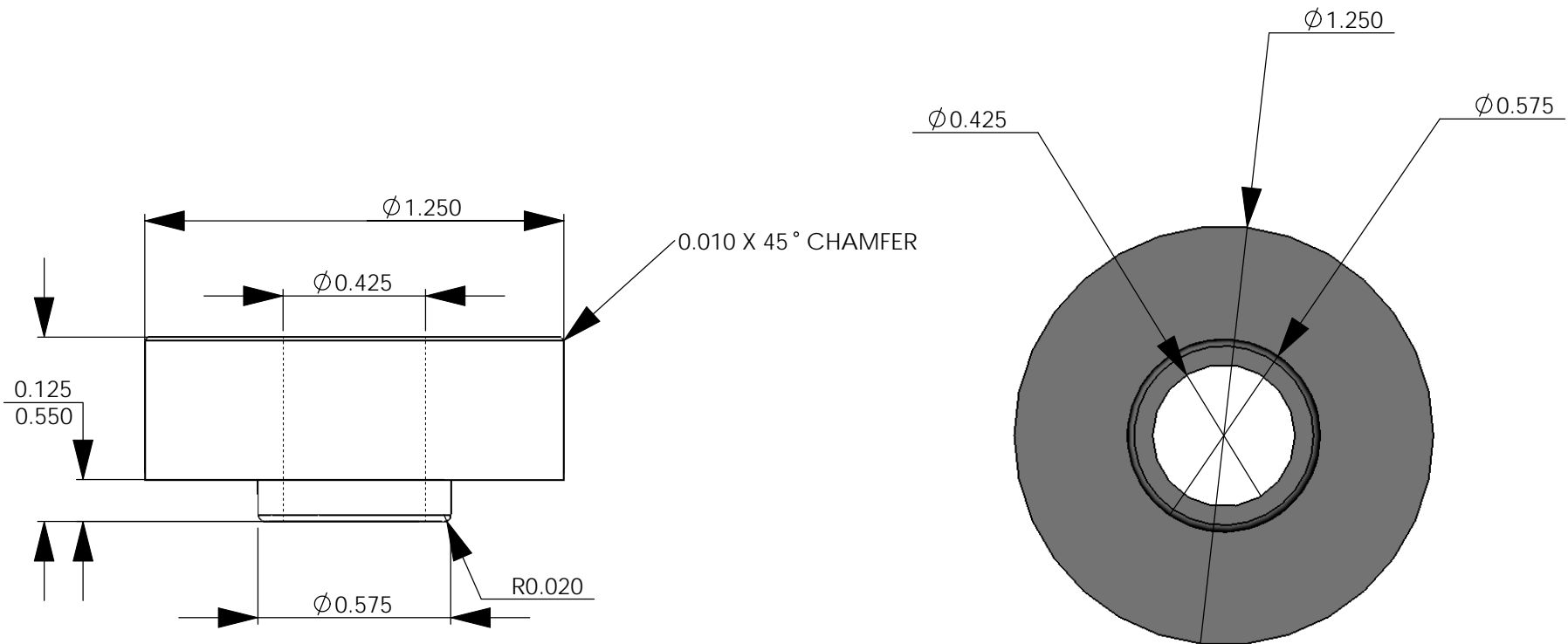


QUOTATION ONLY


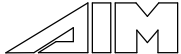
UNLESS OTHERWISE SPECIFIED:		NAME	DATE	 	
DIMENSIONS ARE IN INCHES TOLERANCES: 0.015" FRACTIONAL \pm ANGULAR: MACH \pm BEND \pm TWO PLACE DECIMAL \pm THREE PLACE DECIMAL \pm		DRAWN	R.S.D	3/17/2009	TITLE: <h2>#12 BLACK POLYURETHANE BUSHING</h2>
		CHECKED			
		ENG APPR.			
		MFG APPR.			
INTERPRET GEOMETRIC TOLERANCING PER:		Q.A.			SIZE A DWG. NO. AIM-BUSHINGS REV A
MATERIAL BLACK POLYURETHANE		COMMENTS:			
FINISH NONE					
DO NOT SCALE DRAWING		Z:\URETHANE BUSHINGS\			SHEET 7 OF 12

PROPRIETARY AND CONFIDENTIAL

THE INFORMATION CONTAINED IN THIS DRAWING IS THE SOLE PROPERTY OF AIM INDUSTRIES / CHASSIS TECH. ANY REPRODUCTION IN PART OR AS A WHOLE WITHOUT THE WRITTEN PERMISSION OF AIM INDUSTRIES / CHASSIS TECH IS PROHIBITED.

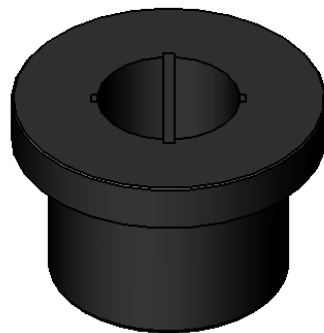
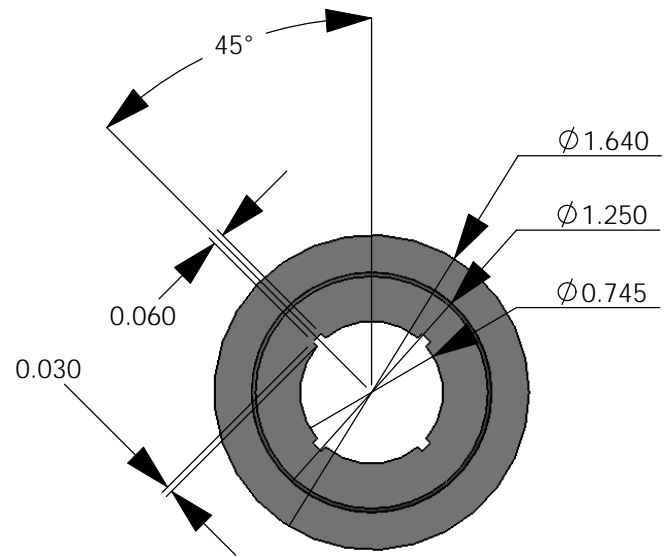
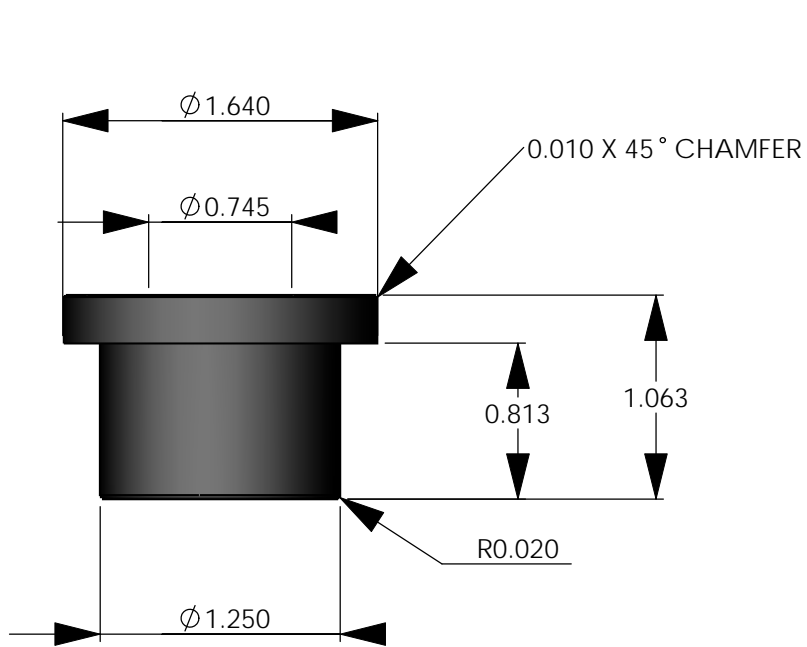


QUOTATION ONLY

UNLESS OTHERWISE SPECIFIED:		NAME	DATE	 	
DIMENSIONS ARE IN INCHES TOLERANCES: 0.015" FRACTIONAL \pm ANGULAR: MACH \pm BEND \pm TWO PLACE DECIMAL \pm THREE PLACE DECIMAL \pm	DRAWN	R.S.D	3/17/2009	TITLE: <h2>#13 BLACK POLYURETHANE BUSHING</h2>	
	CHECKED				
	ENG APPR.				
	MFG APPR.				
INTERPRET GEOMETRIC TOLERANCING PER:	Q.A.			SIZE A DWG. NO. AIM-BUSHINGS REV A	
MATERIAL BLACK POLYURETHANE	COMMENTS:				
FINISH NONE					
DO NOT SCALE DRAWING	Z:\URETHANE BUSHINGS\			SHEET 8 OF 12	


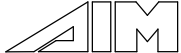
PROPRIETARY AND CONFIDENTIAL

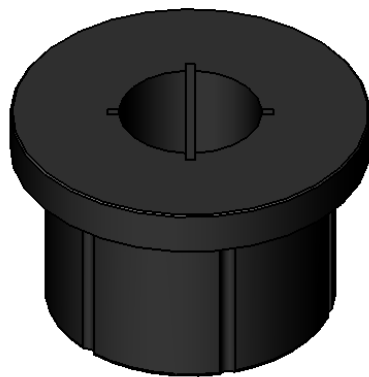
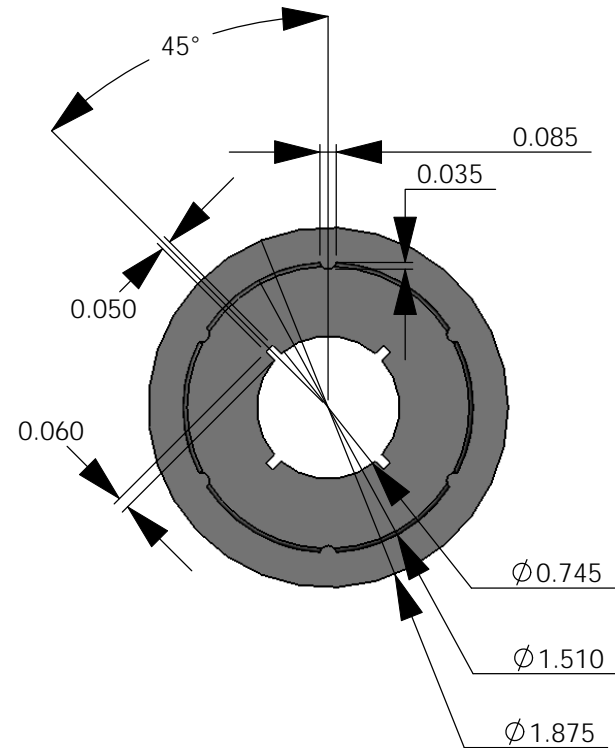
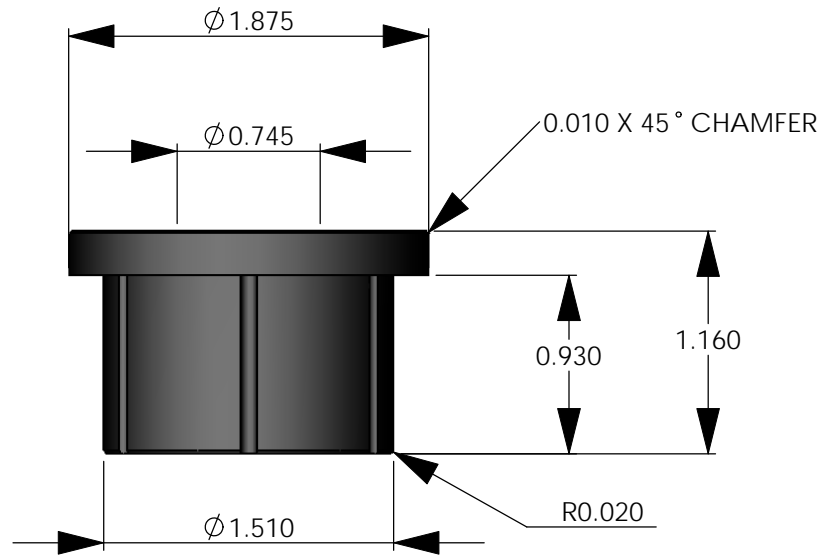
THE INFORMATION CONTAINED IN THIS DRAWING IS THE SOLE PROPERTY OF AIM INDUSTRIES / CHASSIS TECH. ANY REPRODUCTION IN PART OR AS A WHOLE WITHOUT THE WRITTEN PERMISSION OF AIM INDUSTRIES / CHASSIS TECH IS PROHIBITED.





QUOTATION ONLY

PROPRIETARY AND CONFIDENTIAL
 THE INFORMATION CONTAINED IN THIS DRAWING IS THE SOLE PROPERTY OF AIM INDUSTRIES / CHASSIS TECH. ANY REPRODUCTION IN PART OR AS A WHOLE WITHOUT THE WRITTEN PERMISSION OF AIM INDUSTRIES / CHASSIS TECH IS PROHIBITED.

UNLESS OTHERWISE SPECIFIED:		NAME	DATE	 			
DIMENSIONS ARE IN INCHES TOLERANCES: 0.015" FRACTIONAL \pm ANGULAR: MACH \pm BEND \pm TWO PLACE DECIMAL \pm THREE PLACE DECIMAL \pm		DRAWN	R.S.D	3/17/2009	TITLE:		
INTERPRET GEOMETRIC TOLERANCING PER:		CHECKED			#14 BLACK POLYURETHANE BUSHING		
MATERIAL BLACK POLYURETHANE		ENG APPR.					
FINISH NONE		MFG APPR.					
DO NOT SCALE DRAWING		COMMENTS:			SIZE	DWG. NO.	REV
		Z:\URETHANE BUSHINGS\			A	AIM-BUSHINGS	A
					SHEET 9 OF 12		



QUOTATION ONLY

UNLESS OTHERWISE SPECIFIED:		NAME	DATE	 		
DIMENSIONS ARE IN INCHES TOLERANCES: 0.015" FRACTIONAL \pm ANGULAR: MACH \pm BEND \pm TWO PLACE DECIMAL \pm THREE PLACE DECIMAL \pm		DRAWN	R.S.D	3/17/2009	TITLE:	
INTERPRET GEOMETRIC TOLERANCING PER:		CHECKED			MO2247 BLACK POLYURETHANE BUSHING	
MATERIAL BLACK POLYURETHANE		ENG APPR.				
FINISH NONE		MFG APPR.			SIZE	DWG. NO.
DO NOT SCALE DRAWING		Q.A.			A	AIM-BUSHINGS
		COMMENTS:			REV	A
		Z:\URETHANE BUSHINGS\			SHEET 10 OF 12	



PROPRIETARY AND CONFIDENTIAL

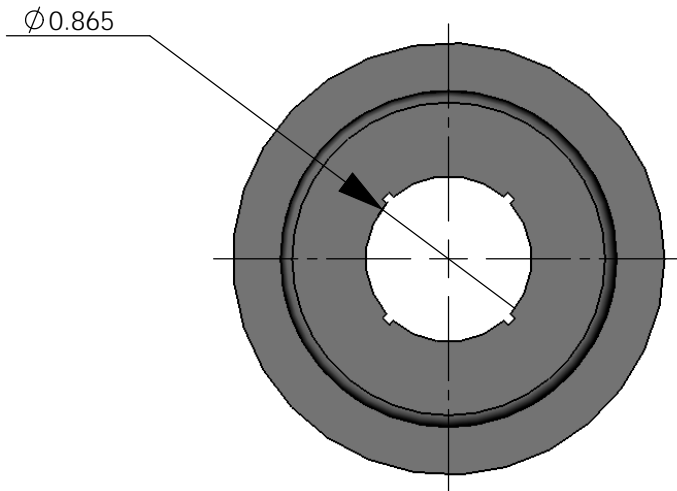
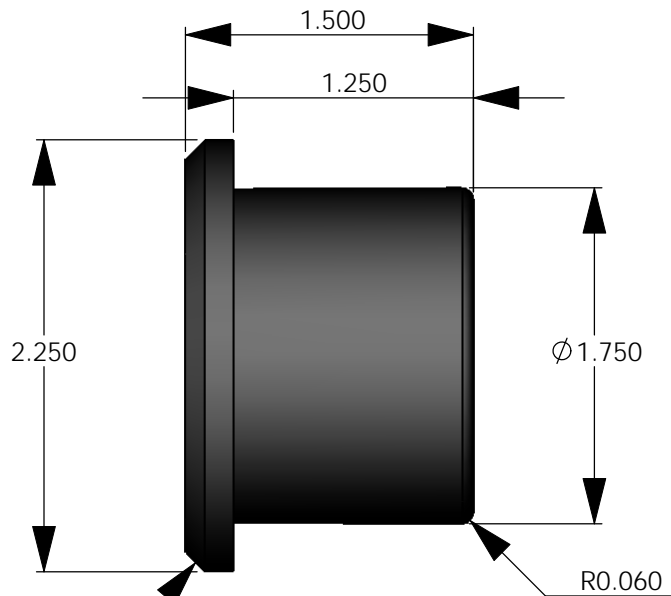
THE INFORMATION CONTAINED IN THIS DRAWING IS THE SOLE PROPERTY OF AIM INDUSTRIES / CHASSIS TECH. ANY REPRODUCTION IN PART OR AS A WHOLE WITHOUT THE WRITTEN PERMISSION OF AIM INDUSTRIES / CHASSIS TECH IS PROHIBITED.

PROPRIETARY AND CONFIDENTIAL



THE INFORMATION CONTAINED IN THIS DRAWING IS THE SOLE PROPERTY OF AIM INDUSTRIES / CHASSIS TECH. ANY REPRODUCTION IN PART OR AS A WHOLE WITHOUT THE WRITTEN PERMISSION OF AIM INDUSTRIES / CHASSIS TECH IS PROHIBITED.

QUOTATION ONLY

UNLESS OTHERWISE SPECIFIED:		NAME	DATE					
DIMENSIONS ARE IN INCHES TOLERANCES: FRACTIONAL ±N/A ANGULAR: MACH ± 2° BEND ± TWO PLACE DECIMAL ±0.015 THREE PLACE DECIMAL ±0.02	DRAWN	R.S.D	3/17/2009	TITLE: MO3509 BLACK POLYURETHANE BUSHING				
	CHECKED							
	ENG APPR.							
	MFG APPR.							
INTERPRET GEOMETRIC TOLERANCING PER:	Q.A.			SIZE DWG. NO. REV A AIM-BUSHINGS A				
MATERIAL POLYURETHANE	COMMENTS:							
FINISH NONE								
DO NOT SCALE DRAWING	Z:\URETHANE BUSHINGS\						SHEET 11 OF 12	



0.10" x 45° CHAMFER

UNLESS OTHERWISE SPECIFIED:		NAME	DATE	 	
DIMENSIONS ARE IN INCHES TOLERANCES: 0.005" FRACTIONAL ± ANGULAR: MACH ± BEND ± TWO PLACE DECIMAL ±0.05 THREE PLACE DECIMAL ±0.020	DRAWN	R.S.D	3/17/2009	TITLE: <p style="text-align: center;">#15 BLACK POLYURETHANE BUSHING</p>	
	CHECKED				
	ENG APPR.				
	MFG APPR.				
INTERPRET GEOMETRIC TOLERANCING PER:	Q.A.			SIZE A DWG. NO. AIM-BUSHINGS REV A	
MATERIAL POLYURETHANE	COMMENTS:				
FINISH NONE					
DO NOT SCALE DRAWING	Z:\URETHANE BUSHINGS\			SHEET 12 OF 12	

PROPRIETARY AND CONFIDENTIAL
 THE INFORMATION CONTAINED IN THIS DRAWING IS THE SOLE PROPERTY OF AIM INDUSTRIES / CHASSIS TECH. ANY REPRODUCTION IN PART OR AS A WHOLE WITHOUT THE WRITTEN PERMISSION OF AIM INDUSTRIES / CHASSIS TECH IS PROHIBITED.

QUOTATION ONLY