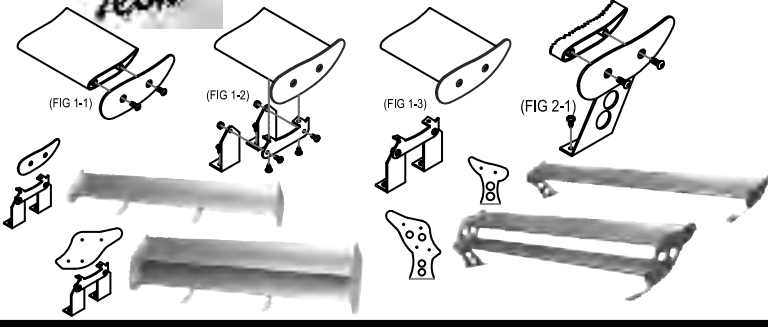


ALUMINUM WING INSTALL



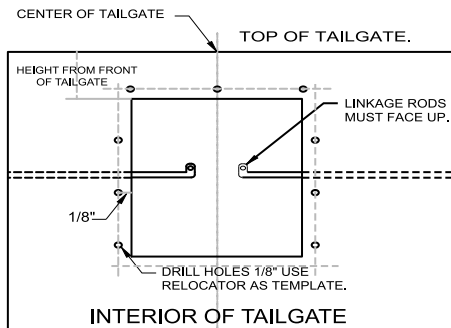
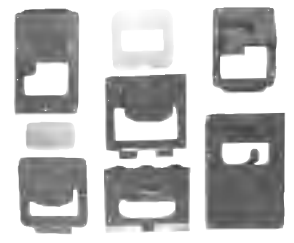
WWW.CHASSISTECH.COM



NOTE: PLEASE READ ALL INSTRUCTIONS BEFORE DRILLING ANY HOLES.

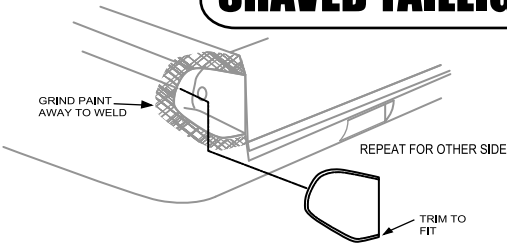
1. ASSEMBLE END PLATES TO WING WITH 5/16 X 3/4" BUTTON BOLTS PROVIDED (THIS STEP REFERS TO ALL KITS.) (FIG 1-1)
2. DEPENDING ON KIT YOU MAY NEED TO ASSEMBLE MOUNTING BRACKETS AS SHOWN IN (FIG 1-2). POSITION MOUNTING BRACKET ON WING AS DESIRED, MARK AND PRE-DRILL WITH 1/8" DRILL BIT. BE SURE NOT TO DRILL TOO DEEP AS NOT TO GO THROUGH WING.
3. NOW ATTACH MOUNTING BRACKETS TO WING. (FIG 1-3)
4. IF YOU PURCHASED TAILGATE, BED RAIL OR KIT LIKE THAT PICTURED IN (FIG 2-1) YOU WILL NOT NEED MOUNTING BRACKETS. THESE KITS ARE ATTACHED TO VEHICLE WITH SHEET METAL SCREWS PROVIDED. END PLATE IS ALSO MOUNTING BRACKET, PLEASE REFER TO (FIG 2-1)
5. CAREFULLY PLACE WING ASSEMBLY ON YOUR VEHICLE AND CENTER AS DESIRED. WHEN YOU HAVE FOUND YOUR IDEAL LOCATION MARK AND PRE-DRILL HOLES USING 1/8" DRILL BIT. WHEN COMPLETE YOU ARE NOW READY TO ATTACH WING ASSEMBLY TO YOUR VEHICLE.

TAILGATE HANDLE RELOCATOR INSTALL



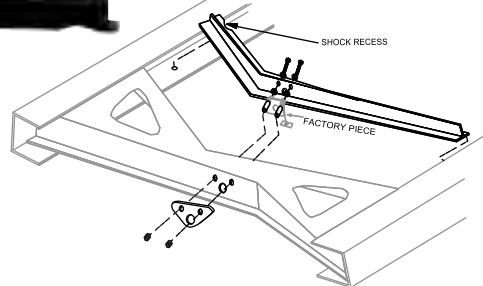
1. OPEN TAILGATE AND REMOVE BOLTS FROM BACK OF TAILGATE THAT HOLD HANDLE IN PLACE. NOW LIFT OUT ORIGINAL POSITION AND UN-CLIP CONNECTORS. WITH MARKING PEN AND MEASURING TAPE LOCATE CENTER OF TAILGATE AND MARK LINE. THEN MEASURE ON FRONT SIDE DISTANCE FROM TOP OF TAILGATE TO CURRENT HANDLE LOCATION. ON INSIDE MEASURE FROM TOP THAT SAME DISTANCE AND MAKE ANOTHER MARK.
2. SET RELOCATOR PLATE CENTERED ON YOUR CENTER LINE, WITH OPENING AT THE SAME HEIGHT AS MARK YOU JUST MADE. NOW MARK HOLES ONTO TAILGATE. DO NOT DRILL YET.
3. NOW WITH HOLES MARKED, USING A STRAIGHT-EDGE, DRAW A LINE 1/8" IN FROM HOLES. (SEE DIAGRAM). THIS IS THE AREA TO BE CUT OUT.
4. USE A CUTTING WHEEL OR OTHER SMALL CUTTING DEVICE TO CUT OUT RECTANGULAR PATTERN ON INSIDE SURFACE OF TAIL GATE ONLY. DO NOT CUT THROUGH OTHER SIDE.
5. SWAP LEFT AND RIGHT LINKAGE RODS FROM LEFT TO RIGHT.
6. PLACE RELOCATOR PLATE OVER HOLE YOU CUT OUT WITH HANDLE ALREADY INSTALLED. POP IN LINKAGE AND CENTER PLATE.
7. USING RELOCATOR RECHECK YOUR HOLE MARKS THEN DRILL HOLES FOR SCREWS. INSTALL ALL SCREWS INTO TAILGATE.

SHAVED TAILLIGHT INSTALL



1. FIRST REMOVE STOCK TAILLIGHTS. REMOVE ALL WIRING HARNESSSES, BULBS, ETC. IN LOCATION WHERE NEW FILLER WILL RESIDE.
2. WITH DIE GRINDER, REMOVE PAINT FROM AREA AROUND TAILLIGHT HOUSING (TO MAKE AN AREA TO WELD TO).
3. TEST FIT FILLER PLATE IN PLACE, TRIM AS NEEDED WHERE SHOWN.
4. CHECK FIT, THEN TACK WELD IN PLACE. GRIND WELDS SMOOTH.
5. APPLY FILLER (LIKE BONDO) AND SMOOTH FOR PAINTING.

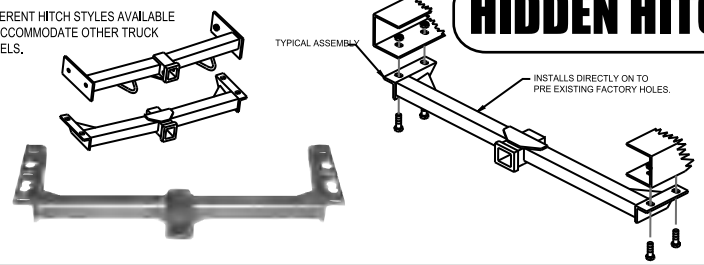
SPARE TIRE RELOCATOR INSTALL



1. REMOVE SPARE TIRE COMPLETELY FROM TRUCK.
2. REMOVE SPARE TIRE CRANK ASSEMBLY. (DO NOT DISCARD FACTORY BOLT, IT WILL BE REUSED) INSTALL CRANK ASSEMBLY INTO NEW SPARE TIRE RELOCATION BRACKET USING SUPPLIED BOLTS.
3. INSTALL NEW BRACKET INTO FACTORY LOCATION, USING FACTORY BOLT.
4. ONE HOLE MUST BE DRILLED INTO CROSS MEMBER FOR EXISTING LARGE TAB, SMALLER TAB WILL MOUNT INTO FACTORY SLOTTED HOLE, USE SUPPLIED BOLTS AND WASHERS TO FINISH MOUNTING SPARE RELOCATOR.

HIDDEN HITCH INSTALL

DIFFERENT HITCH STYLES AVAILABLE TO ACCOMMODATE OTHER TRUCK MODELS.



NOTE: AS THERE ARE TWO TYPES OF HIDDEN HITCHES, YOU MUST DECIDE WHETHER YOU NEED YOURS MOUNT BENEATH OR IN BETWEEN YOUR REAR FRAME RAILS.

1. REMOVE WHATEVER HITCH SYSTEM YOU ARE CURRENTLY USING. DETERMINE ANY INTERFERENCE PROBLEMS THAT MAY EXIST (i.e. BUMPER, ROLLPAN, LICENSE PLATE).
3. IF USING ROLL PAN, YOU WILL NEED TO CUTOUT A HOLE FOR HITCH EXTENDER TO GO THROUGH. IF YOUR LICENSE PLATE (OR BOX) IS IN CENTER OF ROLLPAN, USE LICENSE FLIP PLATE TO COVER HOLE WHILE NOT USING HITCH EXTENDER.
4. BOLT HIDDEN HITCH TO EXISTING FACTORY HOLES IN REAR FRAME