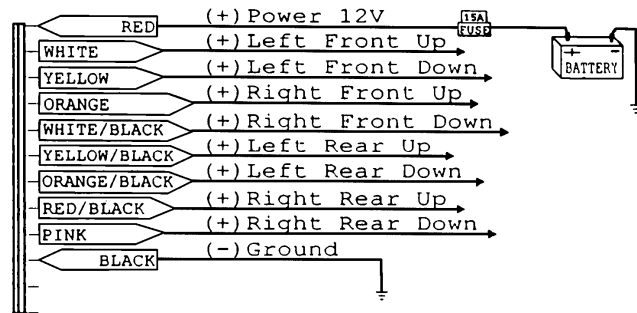


# 24 Function Remote

## Installation Instructions

(click on each image to purchase individual parts)



← Learning Switch

← LED Indicator

Working Voltage: +12V+/-3V/DC

Working Frequency: 315MHz

### HOW TO PROGRAM THE REMOTE CONTROLLER:

PLEASE INSTRUCTIONS BEFORE PROGRAMMING.

- 1) PRESS AND RELEASE THE LEARNING SWITCH, THE LED INDICATOR WILL TURN ON.
- 2) PRESS ANY BUTTON OF REMOTE CONTROLLER WITHIN 10 SECONDS.
- 3) THE LED INDICATOR TURNS OFF IF LEARNING PROGRAM IS SUCCESSFUL.
- 4) IF NO REMOTE THERE IS NO CONTROLLER ACTIVITY WITHIN 10 SECONDS, THE LEARNING PROGRAM STOPS AUTOMATICALLY AND THE LED INDICATOR TURNS OFF.
- 5) MAXIMUM OF 2 AMPS PER CHANNEL
- 6) DO NOT USE ON OTHER APPLICATIONS WITHOUT INSTALLING AN EXTERNAL RELAY. DOING SO WILL GUARANTEE YOU BURNING UP THE REMOTE UNIT.

