

Typical Front Air Bag #1

Installation Instructions

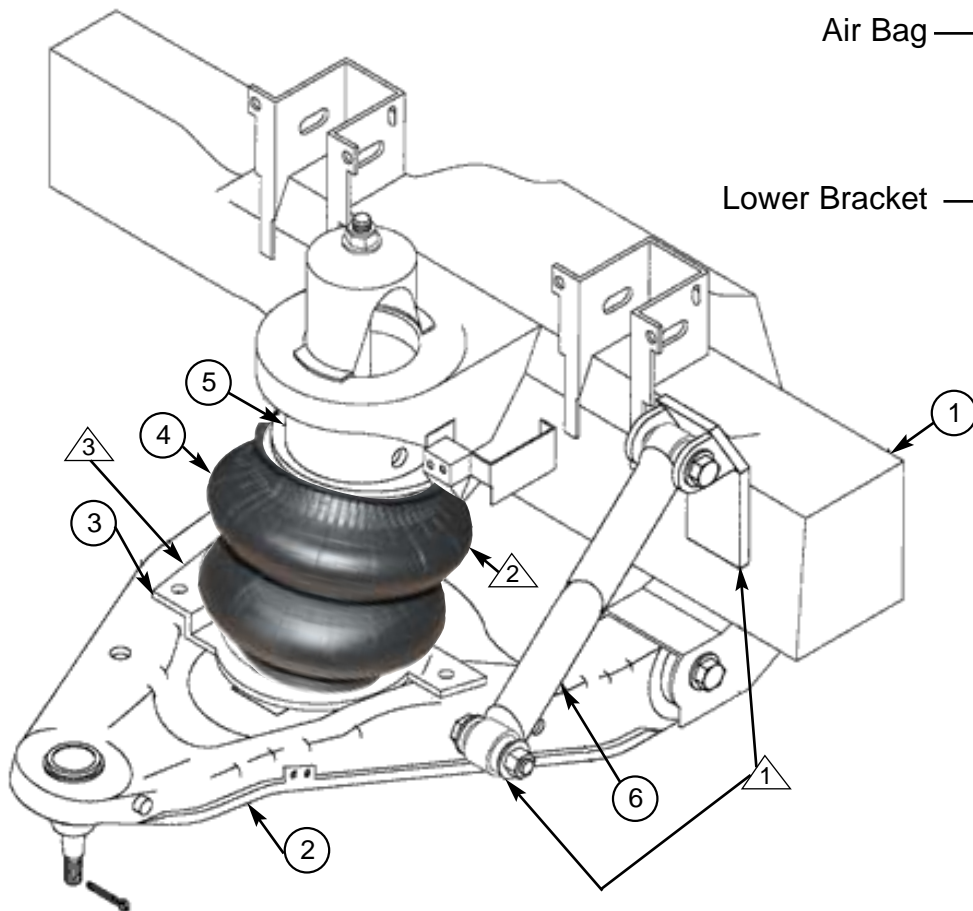
(click on each image to purchase individual parts)

Typical Front

Upper Bracket →

Air Bag →

Lower Bracket →



PARTS:

- ① FRAME RAIL
- ② LOWER CONTROL ARM
- ③ ADAPTER PLATE
- ④ AIR BAG
- ⑤ AIR BAG CAP
- ⑥ GAS SHOCK

INSTRUCTIONS:

- ①. WHEN YOU ADD AIR BAGS TO THE FRONT OF YOUR CAR OR TRUCK YOU WILL NEED TO RELOCATE YOUR SHOCK. USE THE UPPER AND LOWER SHOCK RELOCATOR KITS ACCORDINGLY TO ACCOMPLISH THIS. SHOCK MOUNTS MUST BE WELDED AND BOLTED WITH THE AIR BAG AND THE SHOCK IN FULLY EXTENDED POSITION. (SHOCKS AND RELOCATORS SOLD SEPARATELY)
- ②. CHECK AIR BAG CLEARANCE AROUND FACTORY BUMP STOP. IF NEEDED TRIM OR TAP WITH A HAMMER. AIR BAG MUST NOT TOUCH ANYTHING!!!
- ③. LOWER ADAPTER PLATE MAY BE TEMPORARILY BOLTED TO LOWER CONTROL ARM WHILE YOU FIND THE NECESSARY ALIGNMENT. BUT THEN IT MUST BE WELDED TO THE LOWER CONTROL ARM.
- ④. WHEN WELDING, CUTTING OR GRINDING, REMOVE YOUR AIR BAG!!!
- ⑤. BOLT AIR BAG CAP TO AIR BAG WHEN YOU HAVE FOUND NECESSARY ALIGNMENT. YOU MAY ROTATE AIR BAG CAP AND RE-BOLT IF NEEDED.
- ⑥. MAKE SURE THAT THE AIR BAG BOTTOM HOLES LINE UP WITH THE ADAPTER PLATE HOLES BEFORE YOU DECIDE TO WELD IT TO YOUR LOWER CONTROL ARM.
- ⑦. MUST CHECK THAT YOUR AIR BAG HAS CLEAN COMPLETE TRAVEL AND THAT IT DOES NOT TOUCH ANYTHING, BEFORE YOU WELD ANY PARTS AS NEEDED
- ⑧. SHOCKS AND RELOCATORS MUST BE PURCHASED SEPARATELY.