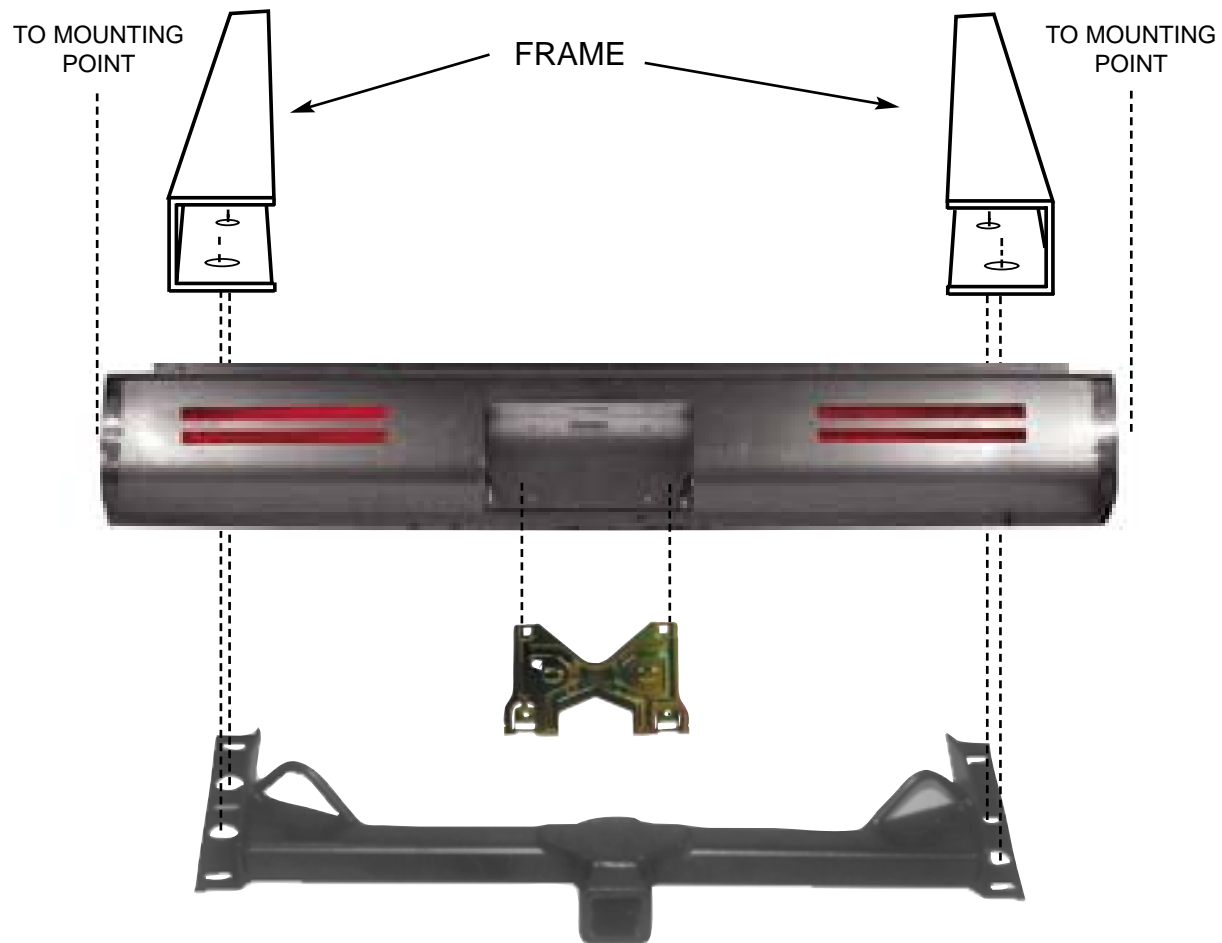


Typical Roll Pan & Hidden Hitch

Installation Instructions

(Click on picture to purchase part.)



ROLL PAN

1. REMOVE BUMPER OR EXISTING ROLL PAN.
2. INSTALL THE UNIVERSAL MOUNTING BRACKETS TO INSTALL THE FRAME OR OTHER MOUNTING POINT.
3. USE SHEET METAL SCREWS OR RIVETS TO ATTACH ROLL PAN.
4. PAINT TO MATCH.

NOTE: NOTE TO ALL ROLL PANS COME WITH SHEET METAL SCREWS. MOST OF OUR MODELS ARE WELD ON ROLL PANS

HIDDEN HITCH

1. THERE ARE TWO BASIC HITCH STYLES AVAILABLE. ONE STYLE MOUNTS ON THE INSIDE OF YOUR FRAME RAIL, THE OTHER MOUNTS TO THE BOTTOM OF YOUR FRAME RAIL.
2. DEPENDING ON YOUR VEHICLE YOU WILL INSTALL ONE OF THESE TWO PARTS ON TO PRE EXISTING FACTORY HOLES.